

# Totalizers mechanic

Stroke, meter and revolution counters

Display 5 digits, manual reset by lever

H 410, M 410, U 410, M 411, U 411



H 410 - Stroke counter



M 410 - Meter counter



U 410 - Revolution counter

## Features

- Stroke, meter and revolution counters
- Adding
- Display 5-digits
- Reset by lever

## Technical data - mechanical design

Number of digits	5-digits
Digit height	7 mm
Reset	Manual by reset lever. Do not let snap or make jerky movements.
Ambient temperature	0...+60 °C
Housing type	Surface mount housing with mounting plate
Housing colour	Grey
Dimensions W x H x L	106 x 64 x 45 mm
Dimensions mounting plate	120 x 64 mm
Mounting	Base plate, 4 mounting holes
Weight approx.	380 g
Materials	Housing: Hostaform POM, grey Base plate: steel zinc-coated

## H 410

Function	Stroke counter
Display	White numbers on black
Count mode	Adding in a stroke direction to be indicated. 1 stroke = 1 count
Drive shaft	Both sides, $\varnothing 7$ mm
Stroke	>38° to <60°
Stroke lever	To be positioned on shaft at will. Stroke lever relocates automatically to start position.
Stroke frequency	≤500 strokes/min
Measuring range	99 999

# Totalizers mechanic

## Stroke, meter and revolution counters

### Display 5 digits, manual reset by lever

H 410, M 410, U 410, M 411, U 411

#### Technical data - mechanical design

##### M 410

Function	Meter counter
Display	White numbers on black Decimal digits in red
Count mode	Adding in a rotational direction to be indicated, subtracting in reverse direction. See part number key
Drive shaft	Both sides, $\varnothing 7$ mm
Measuring speed	<200 m/min (measuring wheel)
Measuring accuracy	1 dm, 1 cm
Measuring range	9999.9 m

##### M 411

Function	Meter counter
Display	White numbers on black Decimal digits in red
Count mode	Adding in a rotational direction to be indicated, subtracting in reverse direction. See part number key
Drive shaft	Centered below, $\varnothing 7$ mm
Measuring speed	<60 m/min
Measuring accuracy	1 dm
Measuring range	9999.9 m

##### U 410

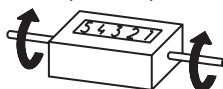
Function	Revolution counter
Display	White numbers on black
Count mode	Adding in a rotational direction to be indicated, subtracting in reverse direction. 1 rev. = 1 count
Drive shaft	Both sides, $\varnothing 7$ mm
Operating speed	$\leq 3000$ rpm
Measuring range	99 999

##### U 411

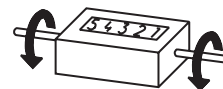
Function	Revolution counter
Display	White numbers on black
Count mode	Adding in a rotational direction to be indicated, subtracting in reverse direction. 1 rev. = 1 count
Drive shaft	Centered below, $\varnothing 7$ mm
Operating speed	$\leq 1000$ rpm
Measuring range	99 999

#### Direction of strokes and rotation

##### H 410, M 410, U 410

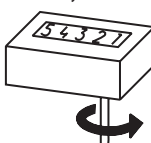


Away from user  
Sense of rotation or stroke direction I

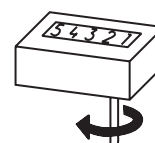


Towards user  
Sense of rotation or stroke direction II

##### M 411, U 411



Sense of rotation I



Sense of rotation II

#### Accessories

##### Measuring wheels for M 410, M 411

MR211.04A	Circumf. 20 cm, knurled aluminium
MR241.04D	Circumf. 20 cm, smooth Hytrel TPE-E
MR261.04A	Circumf. 20 cm, knopped rubber NBR Nitril
MR291.04D	Circumf. 20 cm, grooved Hytrel TPE-E
MR592.07D	Circumf. 50 cm, grooved Hytrel TPE-E
MR512.07A	Circumf. 50 cm, knurled aluminium
MR542.07D	Circumf. 50 cm, smooth Hytrel TPE-E
MR552.07A	Circumf. 50 cm, smooth Vulkollan PUR
MR562.07A	Circumf. 50 cm, knopped rubber NBR Nitril

# Totalizers mechanic

## Stroke, meter and revolution counters

### Display 5 digits, manual reset by lever

H 410, M 410, U 410, M 411, U 411

#### Part number

#### Stroke counter

H 410. 010 A 02

Display / direction of stroke  
 A 5 digits 99 999 / I  
 B 5 digits 99 999 / II  
  
Count mode / drive  
 02 1 stroke = 1 digit / drive shaft on both sides  
  
Housing  
 A Surface mount housing, grey  
  
Reset  
 010 With reset lever

#### Meter counter

M 411. 010 A 03

Display / direction of rotation  
 C 5 digits 9999.9 / I  
 D 5 digits 9999.9 / II  
  
Count mode / drive  
 03 2 revolutions = 10 digits = 1.0 m / drive shaft at bottom  
  
Housing  
 A Surface mount housing, grey  
  
Reset  
 010 With reset lever

#### Revolution counter

U 411. 010 A 01

Display / direction of rotation  
 A 5 digits 99 999 / I  
 B 5 digits 99 999 / II  
  
Count mode / drive  
 01 1 revolution = 1 digit / drive shaft at bottom  
  
Housing  
 A Surface mount housing, grey  
  
Reset  
 010 With reset lever

#### Meter counter

M 410. 010

Display / direction of rotation  
 C 5 digits 9999.9 / I  
 D 5 digits 9999.9 / II  
 E 5 digits 999,99 / I  
 F 5 digits 999,99 / II  
 G 5 digits 9999.95 / I  
 H 5 digits 9999.95 / II  
  
Count mode / drive  
 02 1 revolution = 10 digits = 1.0 m / drive shaft on both sides\*  
 03 2 revolutions = 10 digits = 1.0 m / drive shaft on both sides  
 04 5 revolutions = 10 digits = 1.0 m / drive shaft on both sides\*  
 06 5 revolutions = 100 digits = 1.0 m / drive shaft on both sides\*  
 07 2 revolutions = 100 digits = 1.0 m / drive shaft on both sides\*  
  
Housing  
 A Surface mount housing, grey  
 B Surface mount housing with hinge plate  
  
Reset  
 010 With reset lever

#### Revolution counter

U 410. 010 A

Display / direction of rotation  
 A 5 digits 99 999 / I  
 B 5 digits 99 999 / II  
  
Count mode / drive  
 01 1 revolution = 1 digit / drive shaft on both sides  
 02 1 revolution = 10 digits / drive shaft on both sides  
  
Housing  
 A Surface mount housing, grey  
  
Reset  
 010 With reset lever

\* Additional charge for special transmission

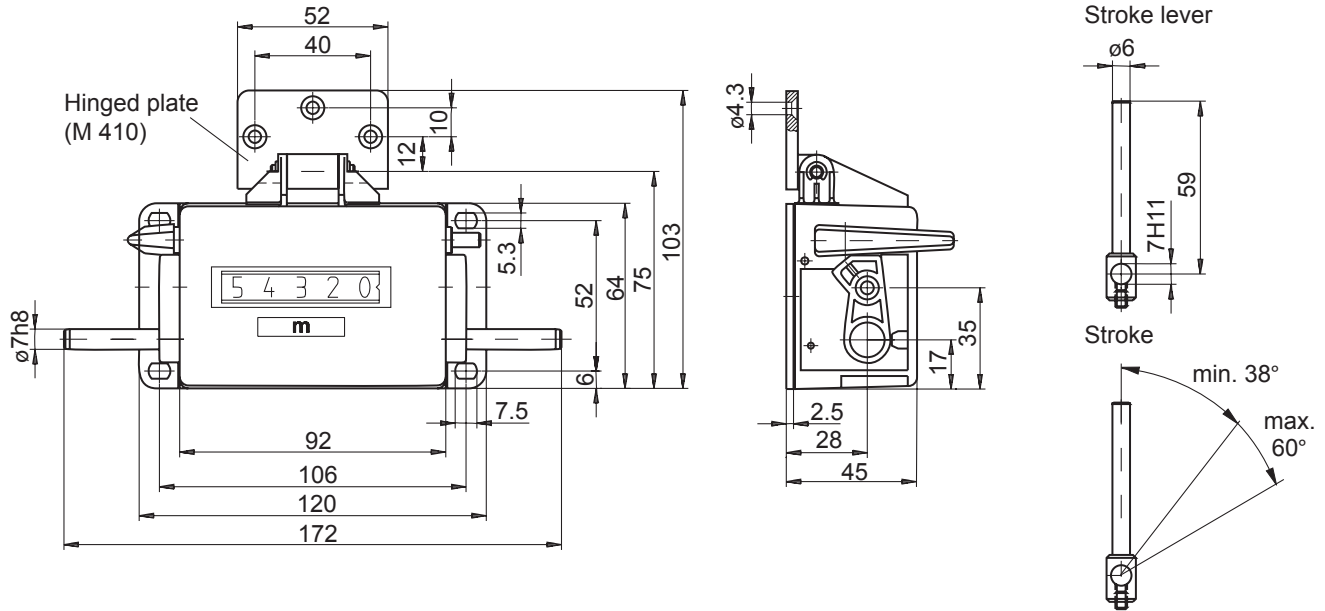
# Totalizers mechanic

Stroke, meter and revolution counters  
Display 5 digits, manual reset by lever

H 410, M 410, U 410, M 411, U 411

## Dimensions

### H 410, M 410, U 410



### M 411, U 411

